



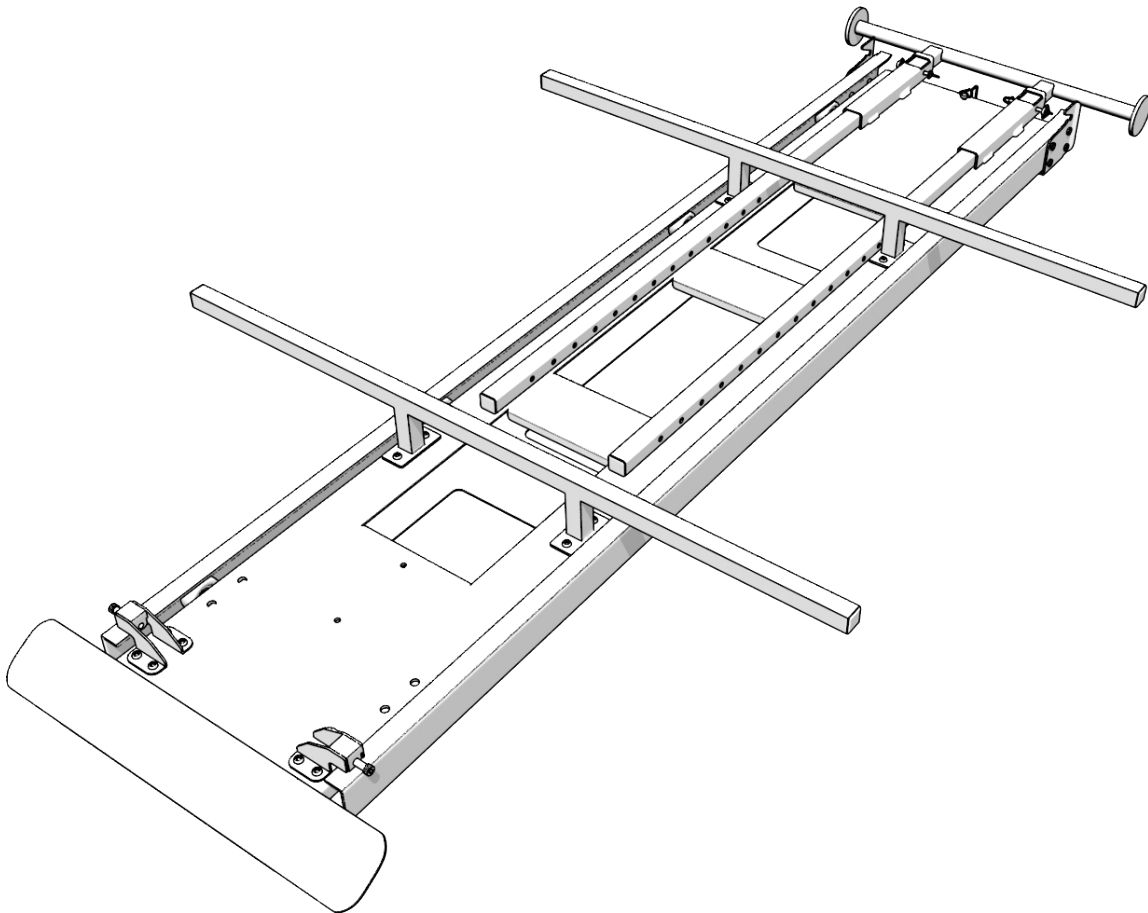
We pick up your toys[®]

Life's tough enough. Getting your gear down the road shouldn't be.

EZ-REC RACK^{HD}

ONE PERSON KAYAK LOADING SYSTEM

PATENT #10,059,273



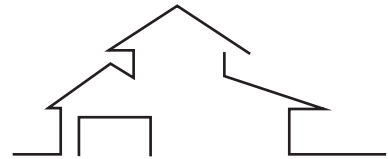
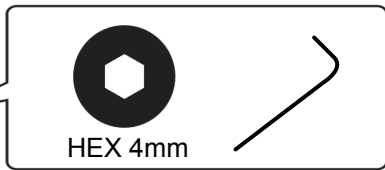
OWNER'S MANUAL

MANUFACTURED IN NOBLESVILLE, INDIANA

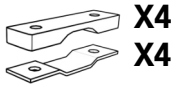
833 - 2EZRACK EZRECREATIONALRACKS.COM

COPYRIGHT © BY EZ RECREATIONAL RACKS LLC, 2018 ALL RIGHTS RESERVED

1



EZ Brackets



CrossBars X2

Kickstand

Shelf

Safety Pin X3



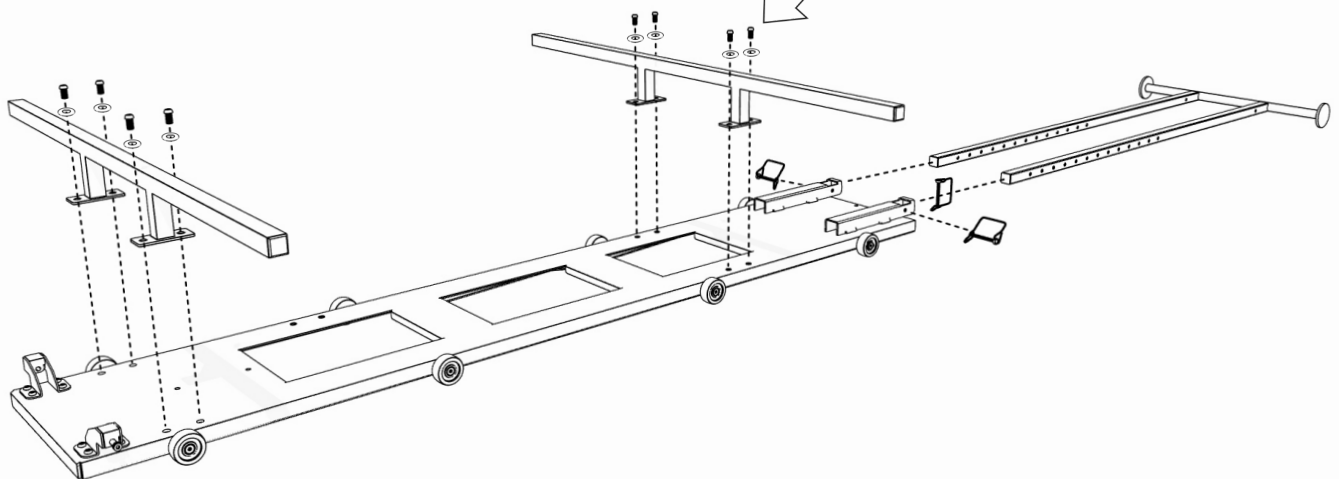
Base



2



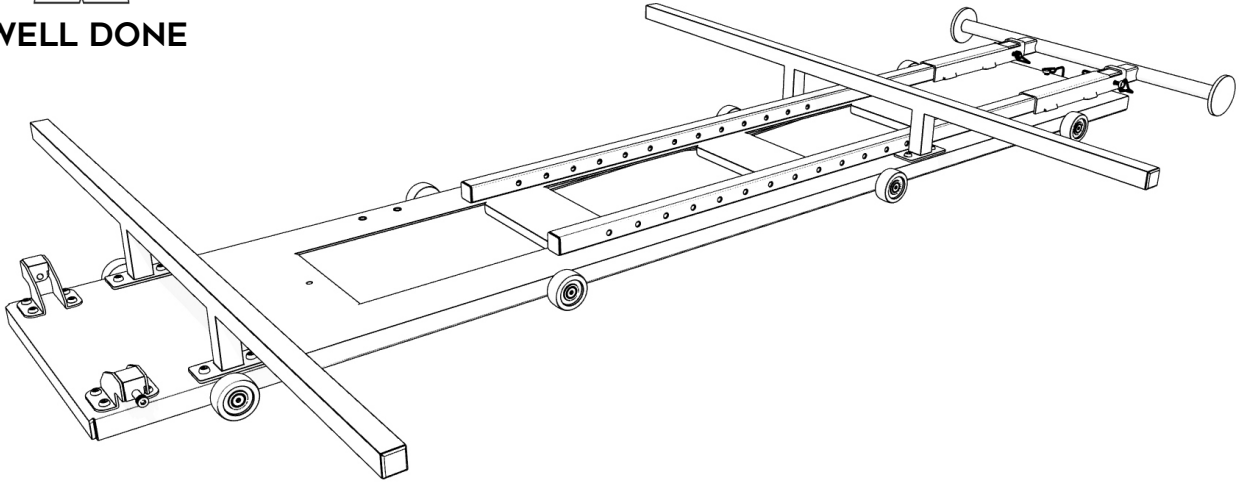
HEX 4mm



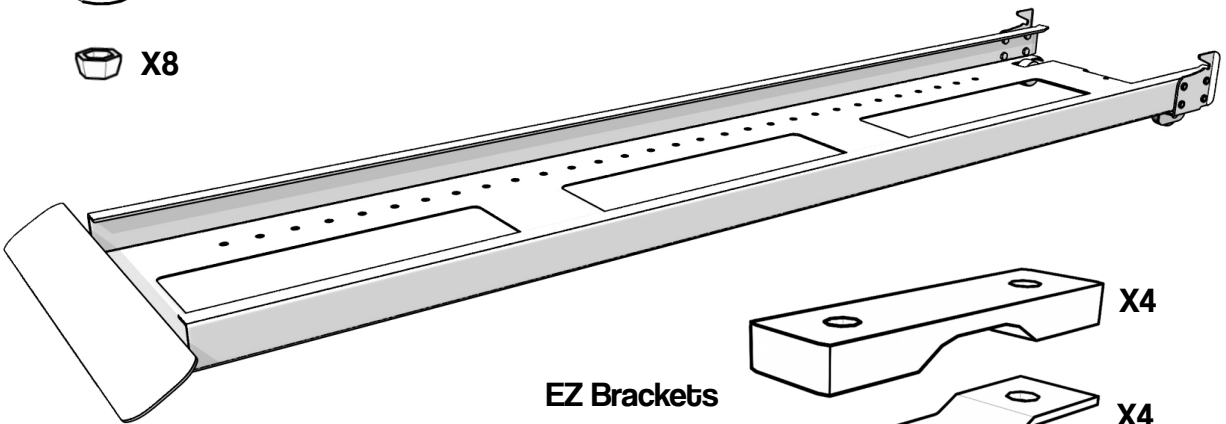
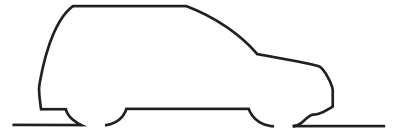
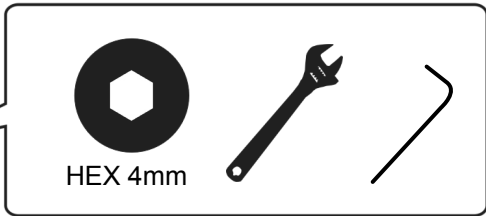
3



WELL DONE



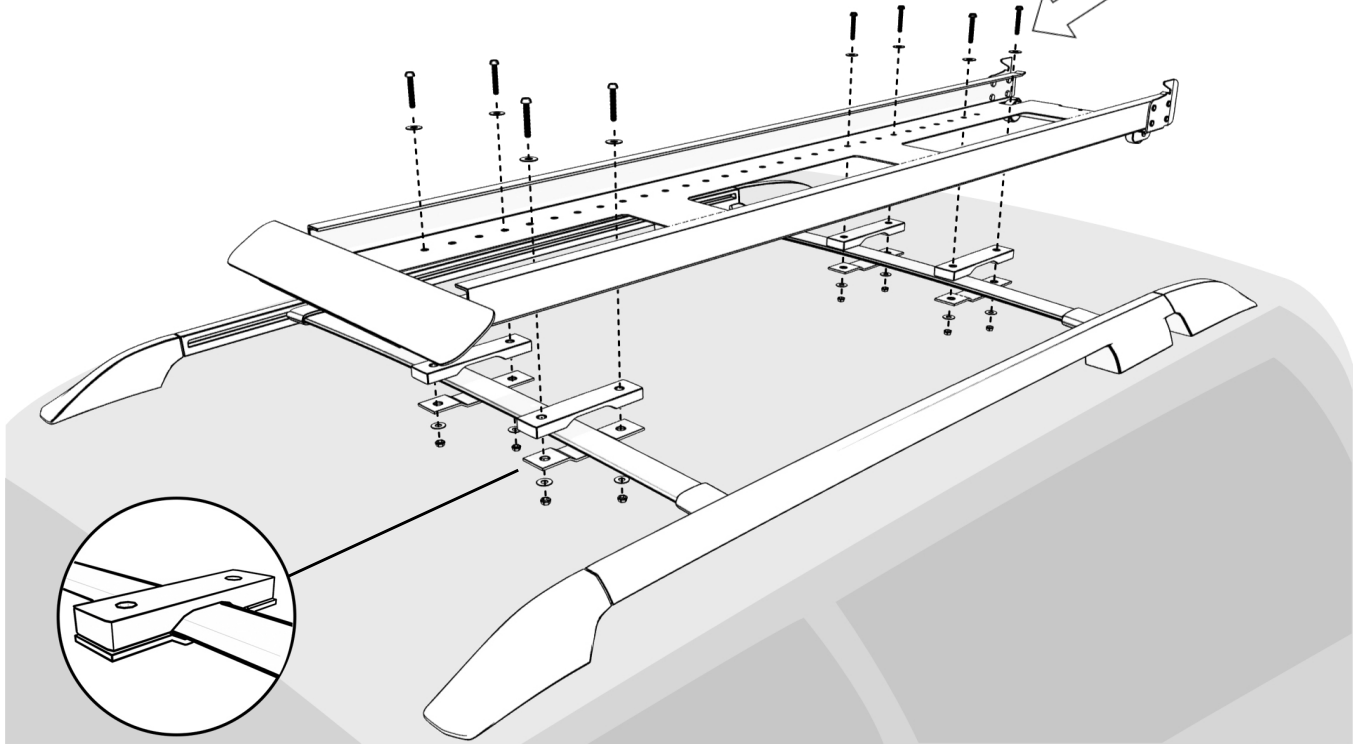
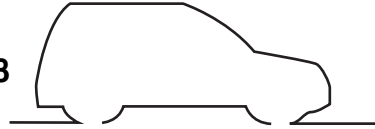
4



EZ Brackets



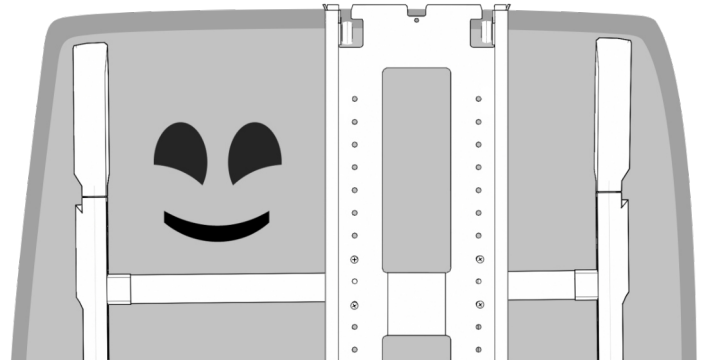
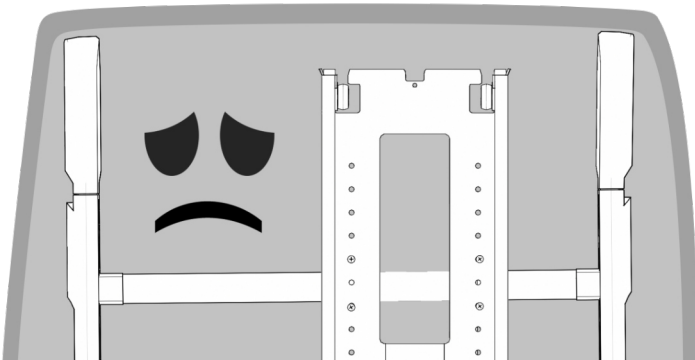
5



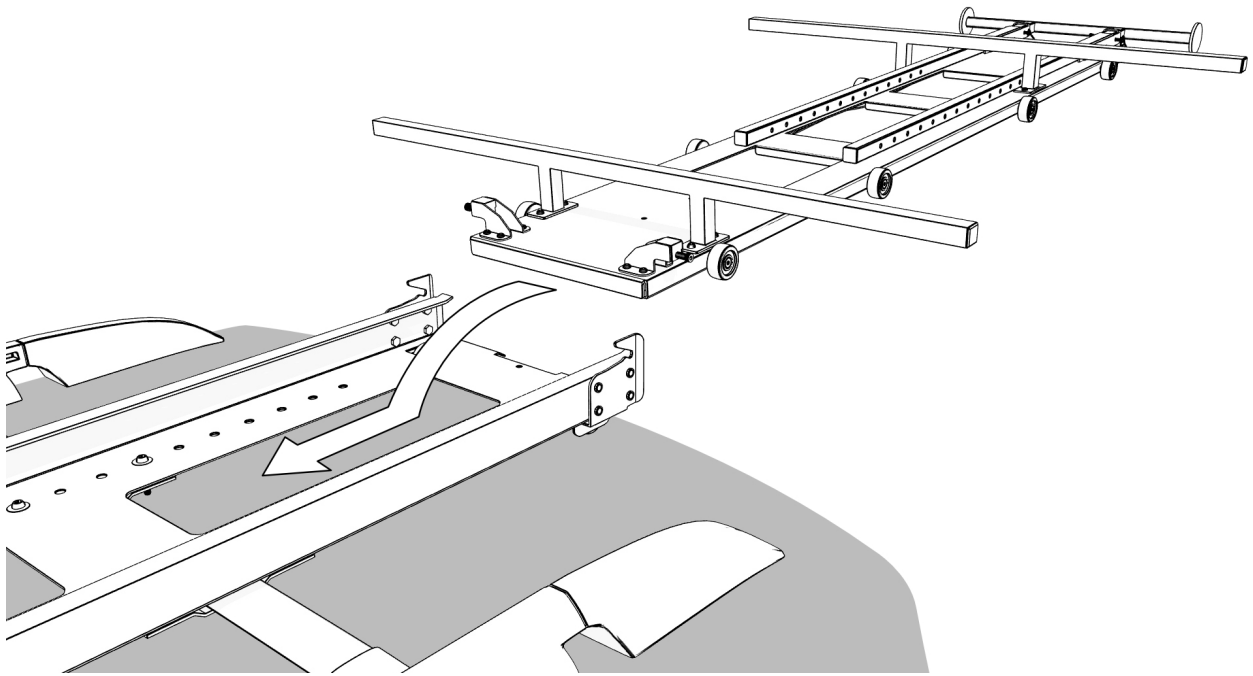
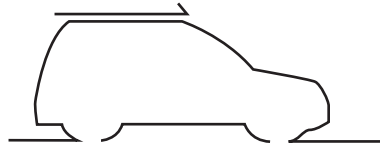
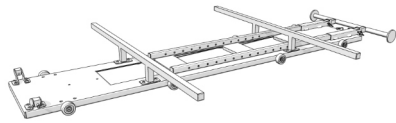
6



MAKE SURE END OF THE BASE CLEARS THE BACK EDGE OF VEHICLE



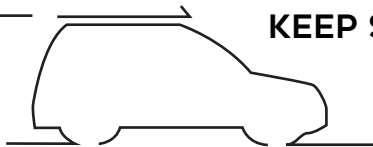
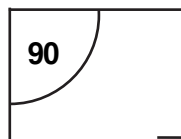
7



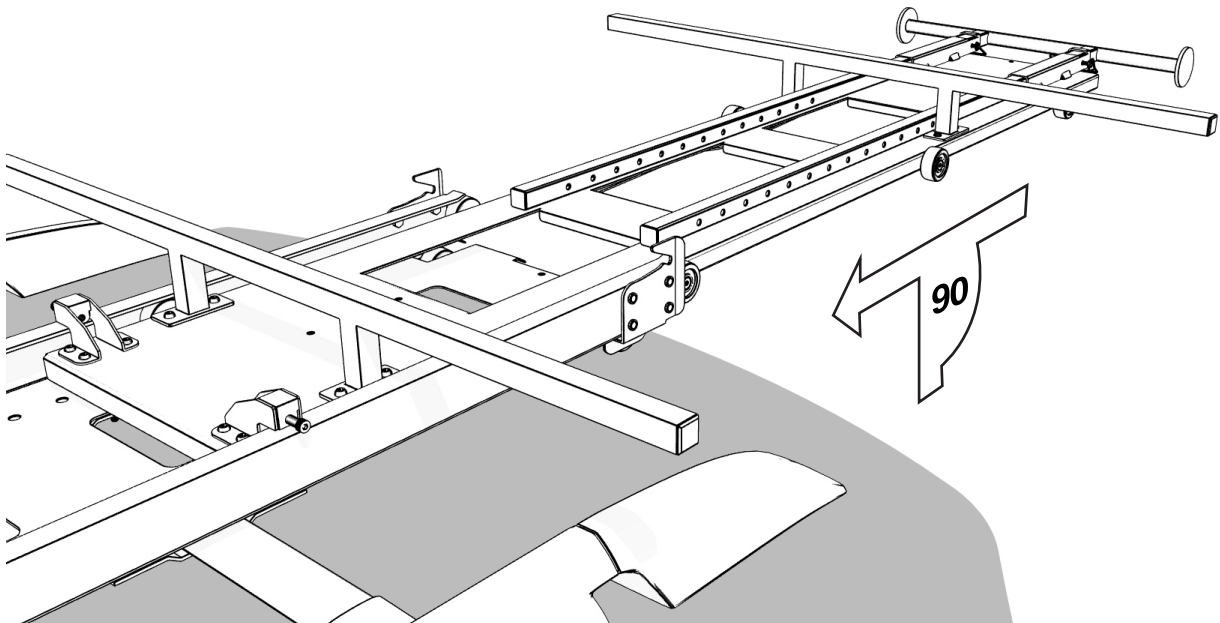
8



IMPORTANT



**KEEP SHELF PERPENDICULAR
AT ALL TIMES**

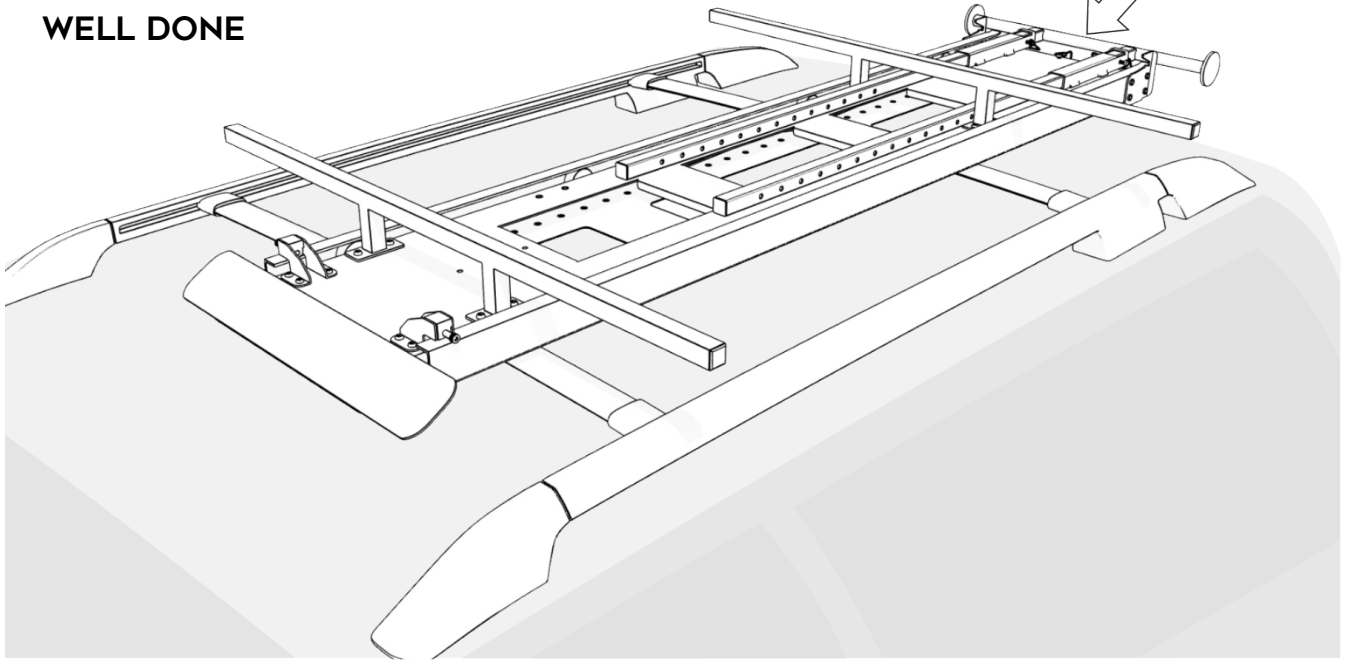
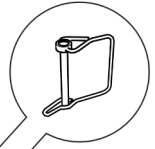


9



WELL DONE

SECURE THE INSTALLED RACK WITH SAFETY PIN BEFORE TRAVEL



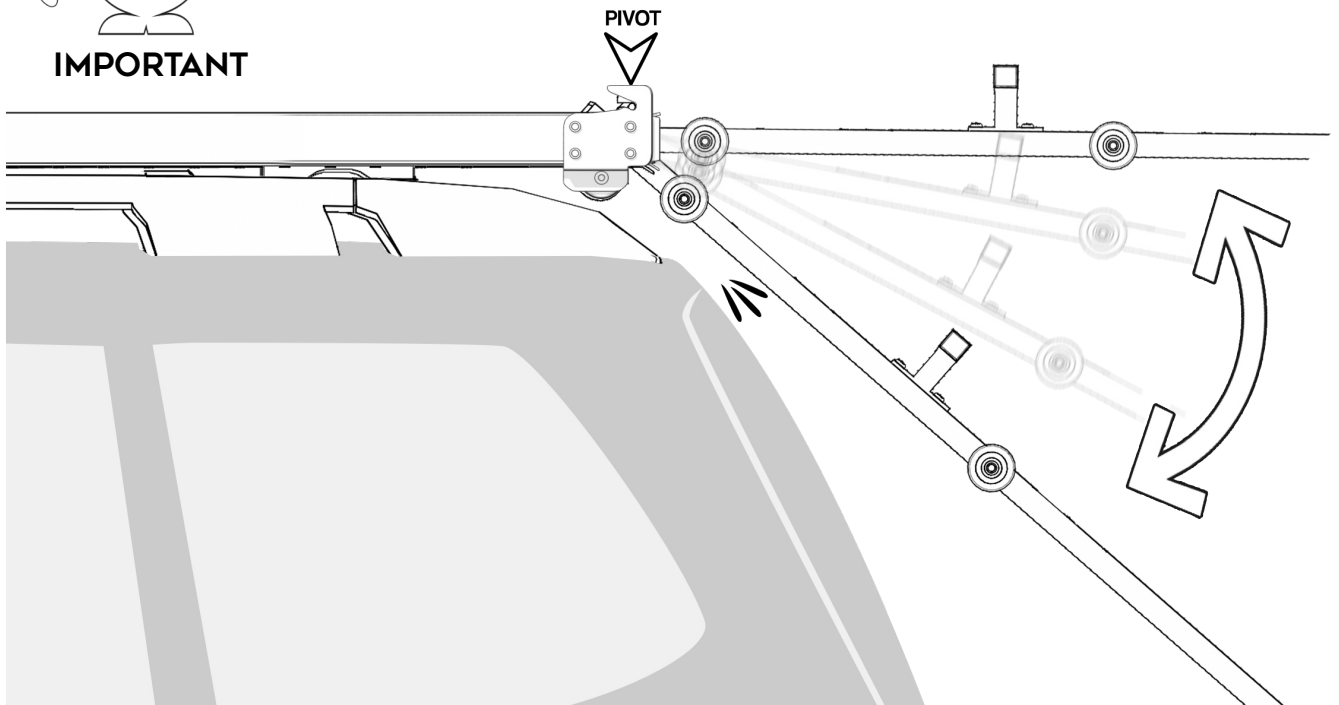
*** IMPORTANT SAFETY NOTICE ***

10



IMPORTANT

RACK PIVOTS IN THE BACK OF VEHICLE
ALLOW ENOUGH DISTANCE FROM VEHICLE'S REAR HATCH

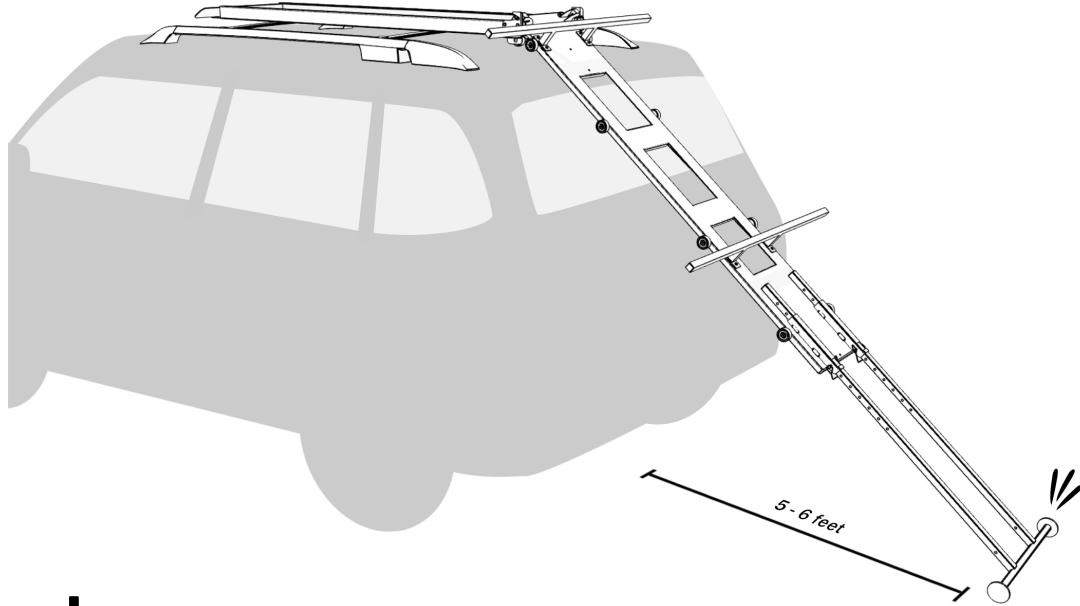


11



IMPORTANT

ALLOW ENOUGH SPACE FOR FULLY EXTENDED RACK SHELF
TRIP HAZARD



12



IMPORTANT

BE CAUTIOUS USING THE RACK AROUND LOW HANGING POWER LINES
ELECTRIC SHOCK HAZARD

